

SINGER
12W212

Form 2759w
(341)
Printed in U. S. A.

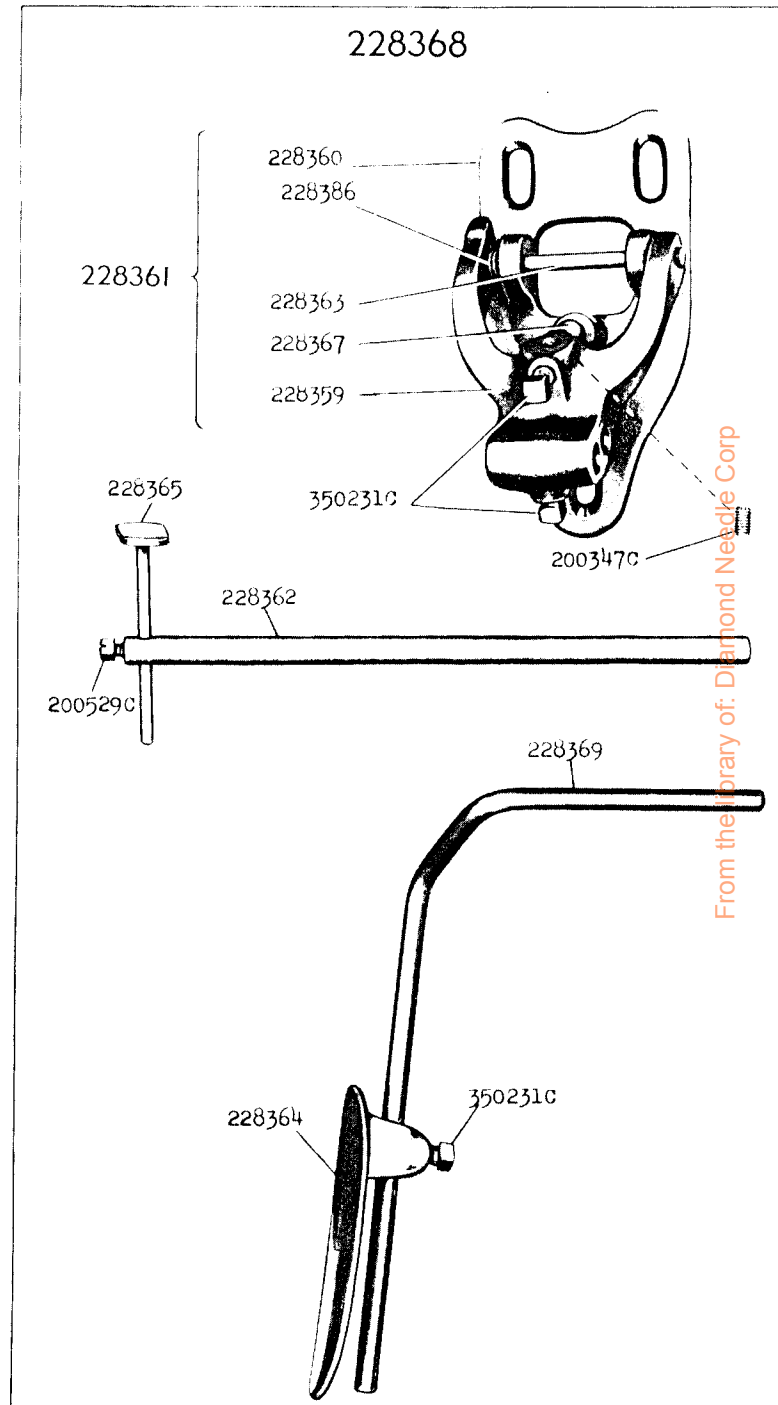
SINGER

12 w 212



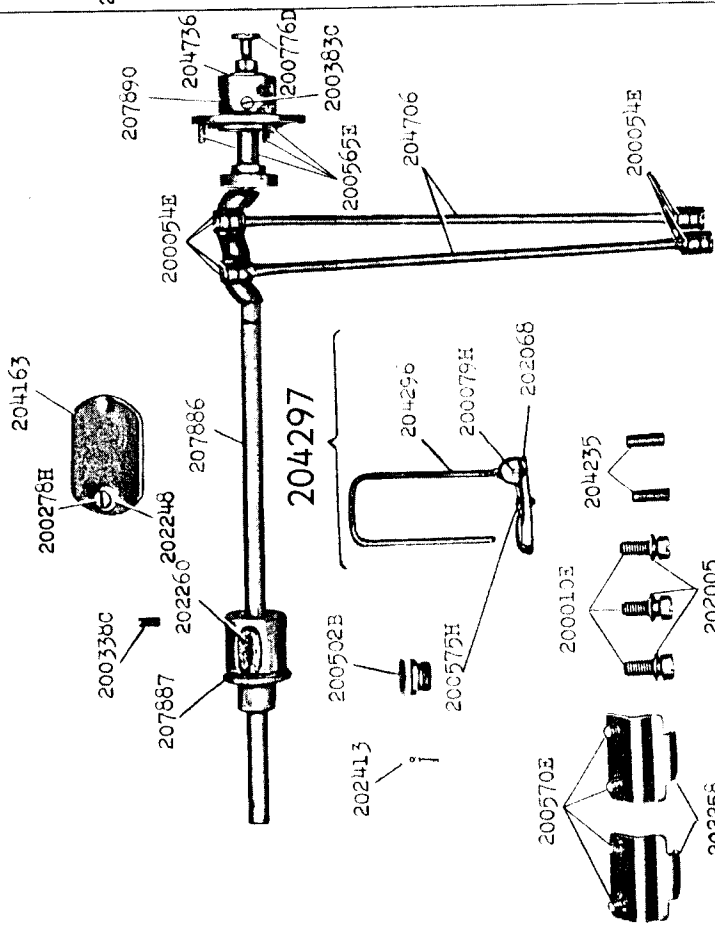
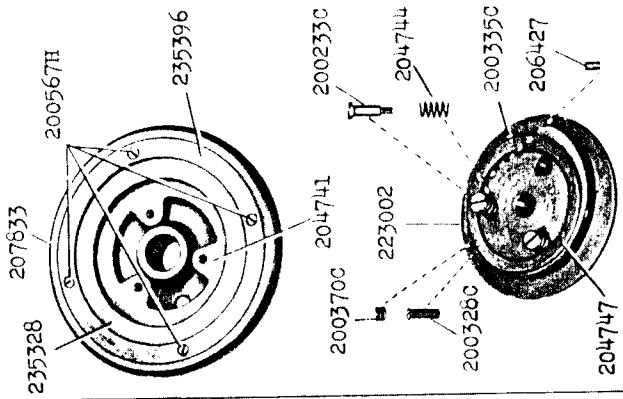
THE SINGER MANUFACTURING COMPANY

16643 - 3/8



17701 - 1/4

207834



17702 - 5/8

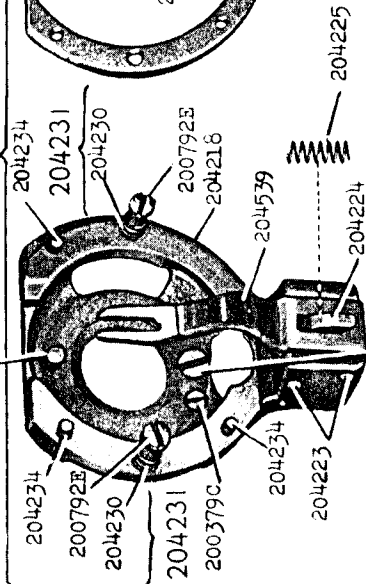
207821

200334C

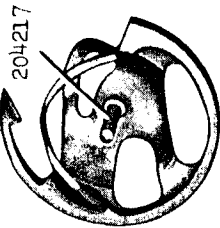
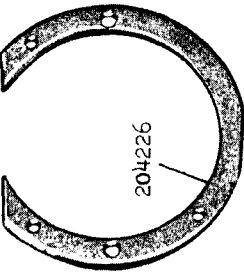
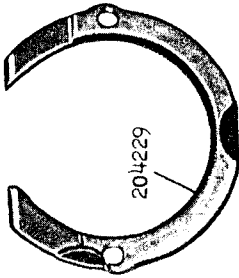
200562C

207820

204219



204216



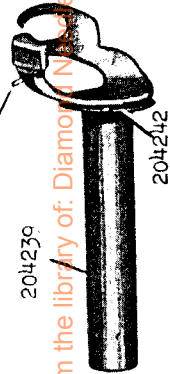
200564C

204393



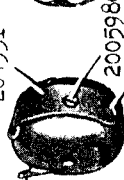
204213

204239



208383

204181



204531



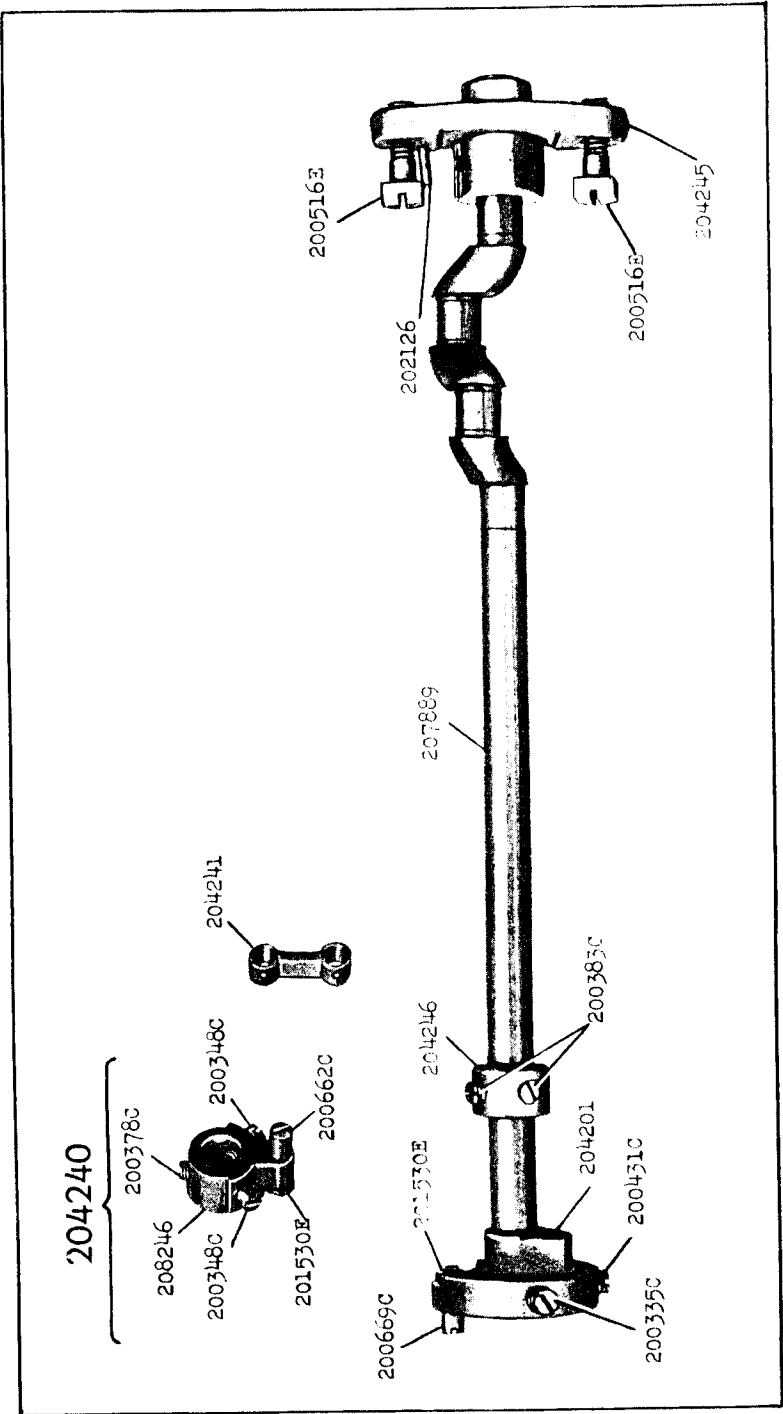
206076

200598C

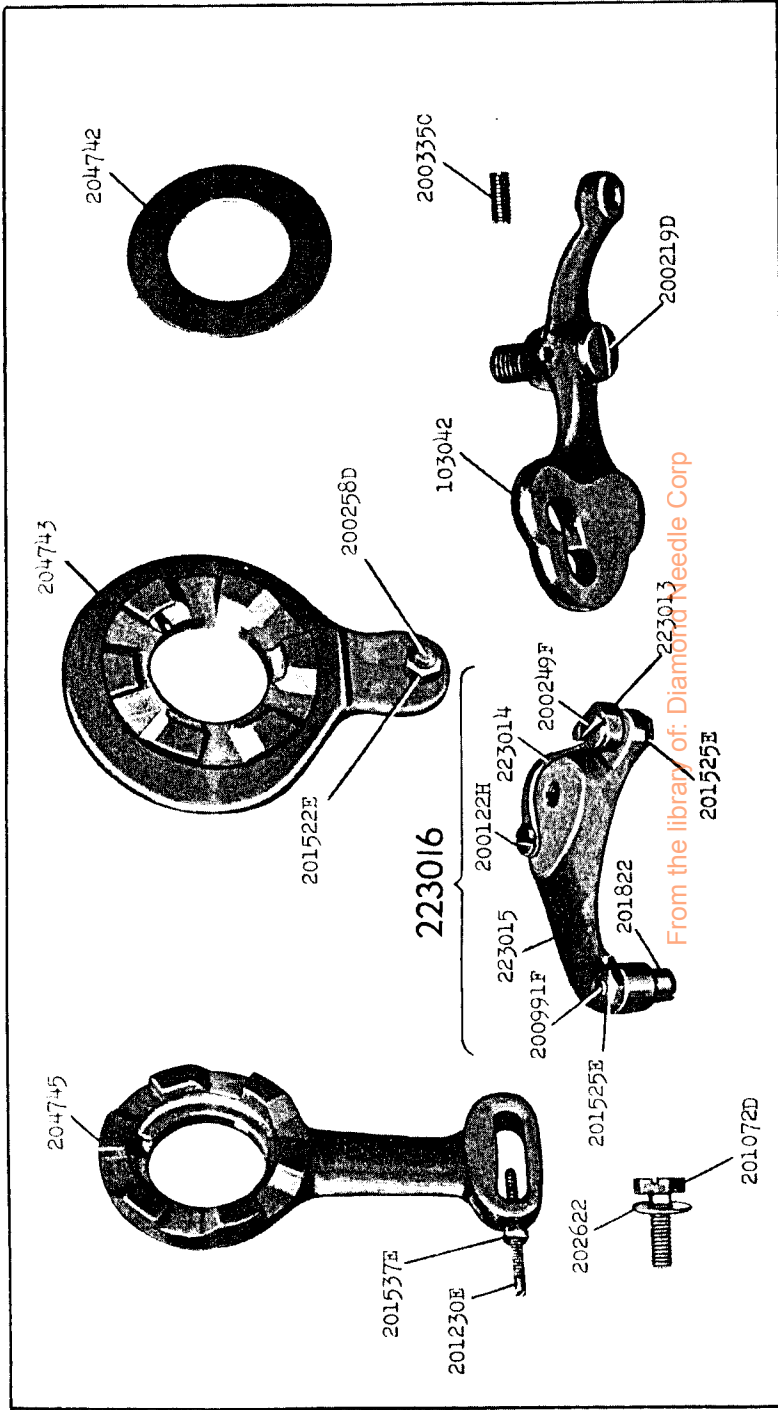
200592C

From the library of: Diamond Machine Corp

17703 - 1/2

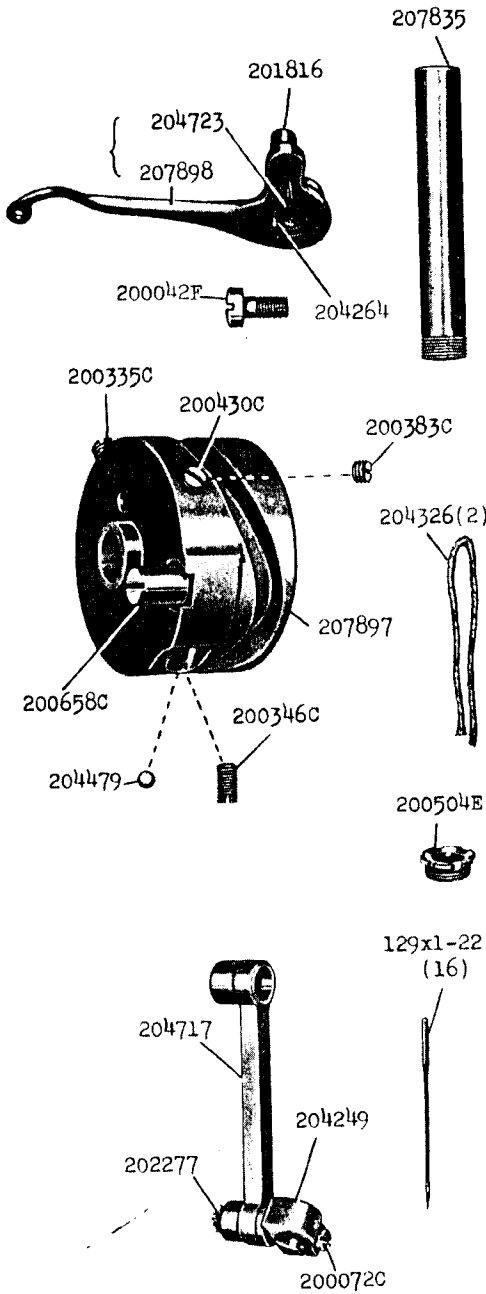


17704 - 1/2

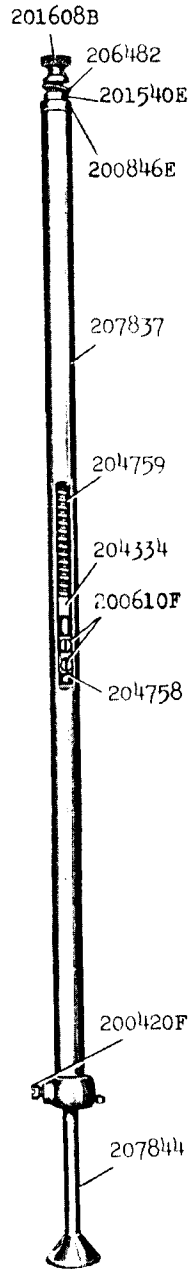


17705 - 1/2

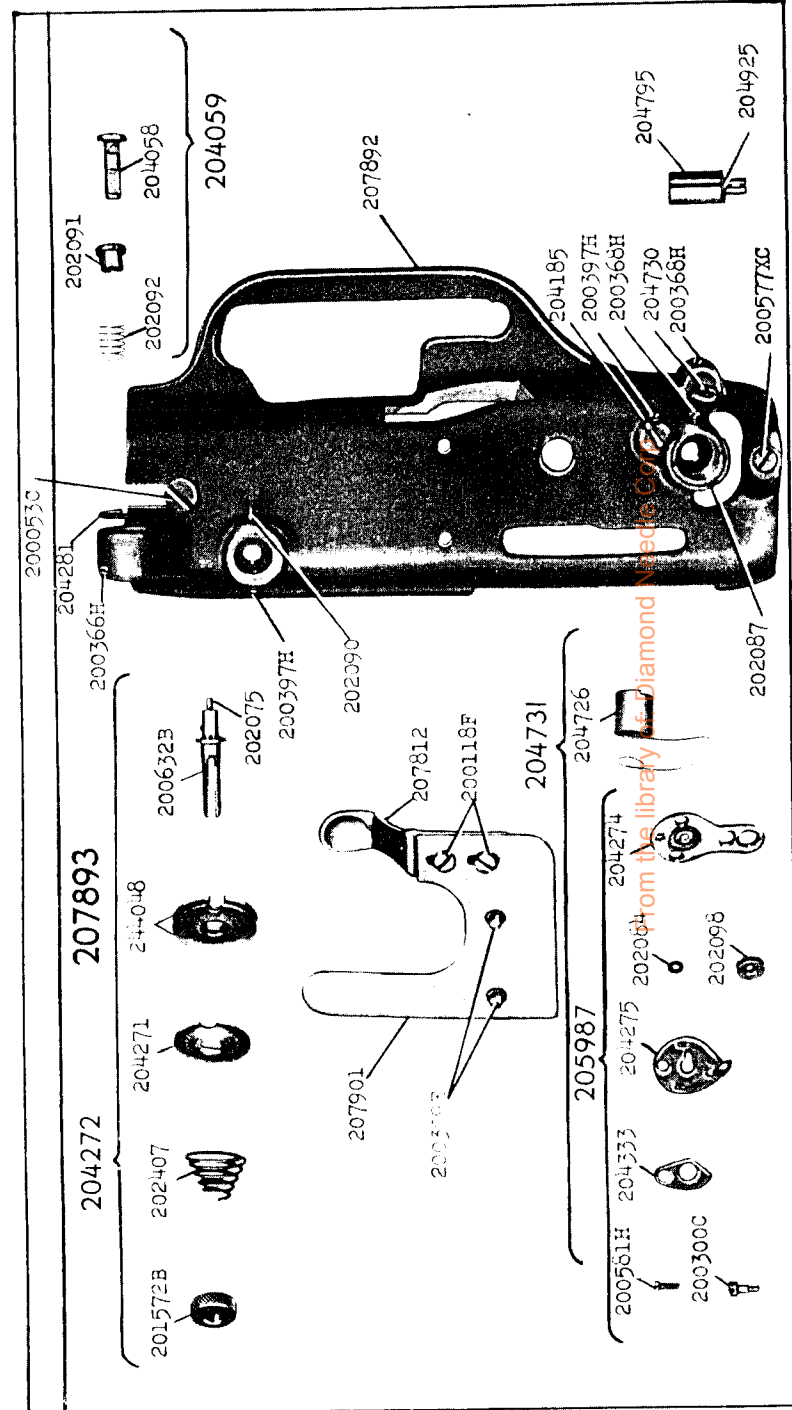
207900



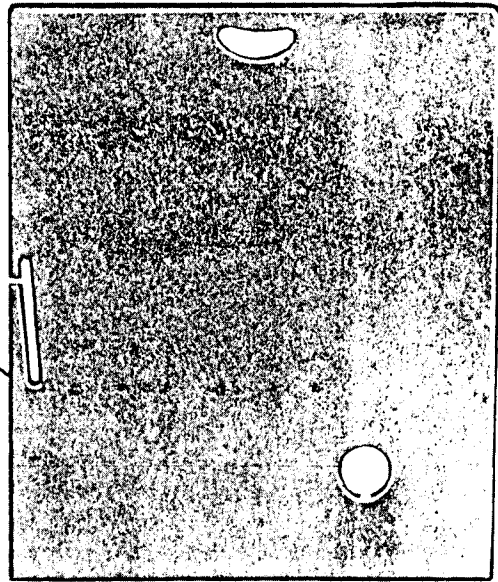
207839



17706 - 1/2



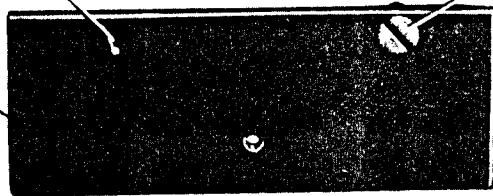
17707



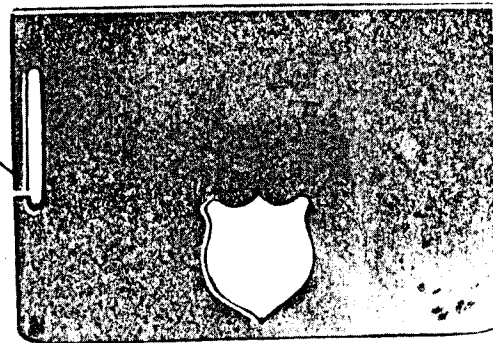
206105

203376

200577AC



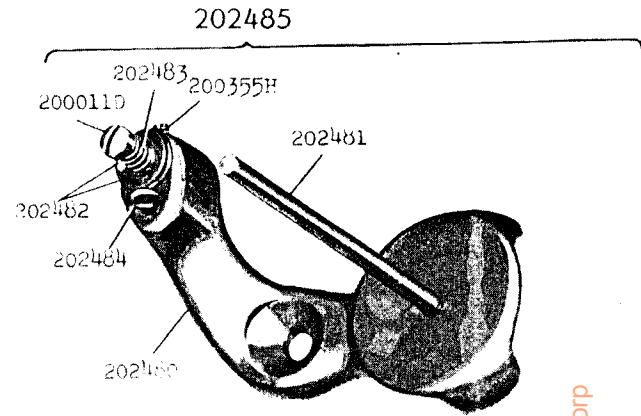
207418-46



204177

17708 - 2/3

227524



202485

202483 200355H
200011D

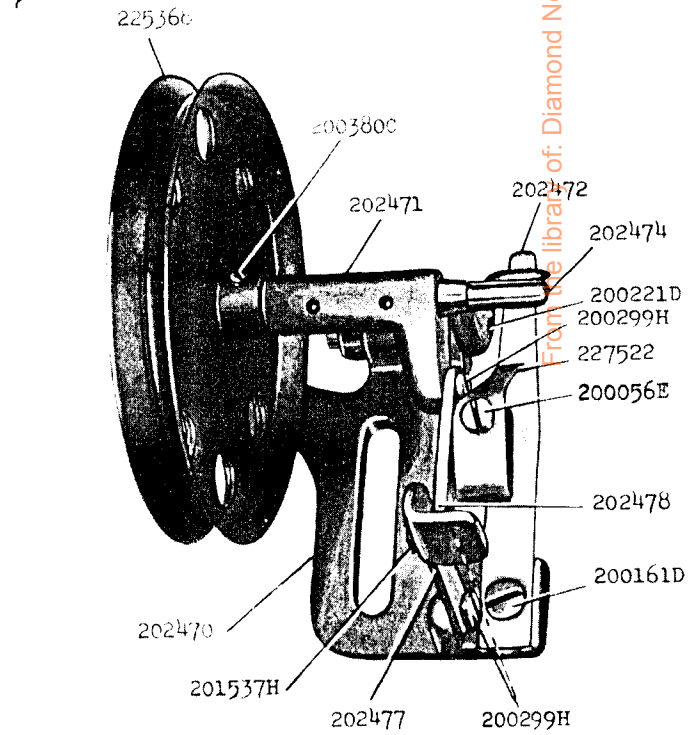
202481

202482

202484

202480

227523



225360

200380C

202471

202472

202474

200221D

200299H

227522

200056E

202478

200161D

202470

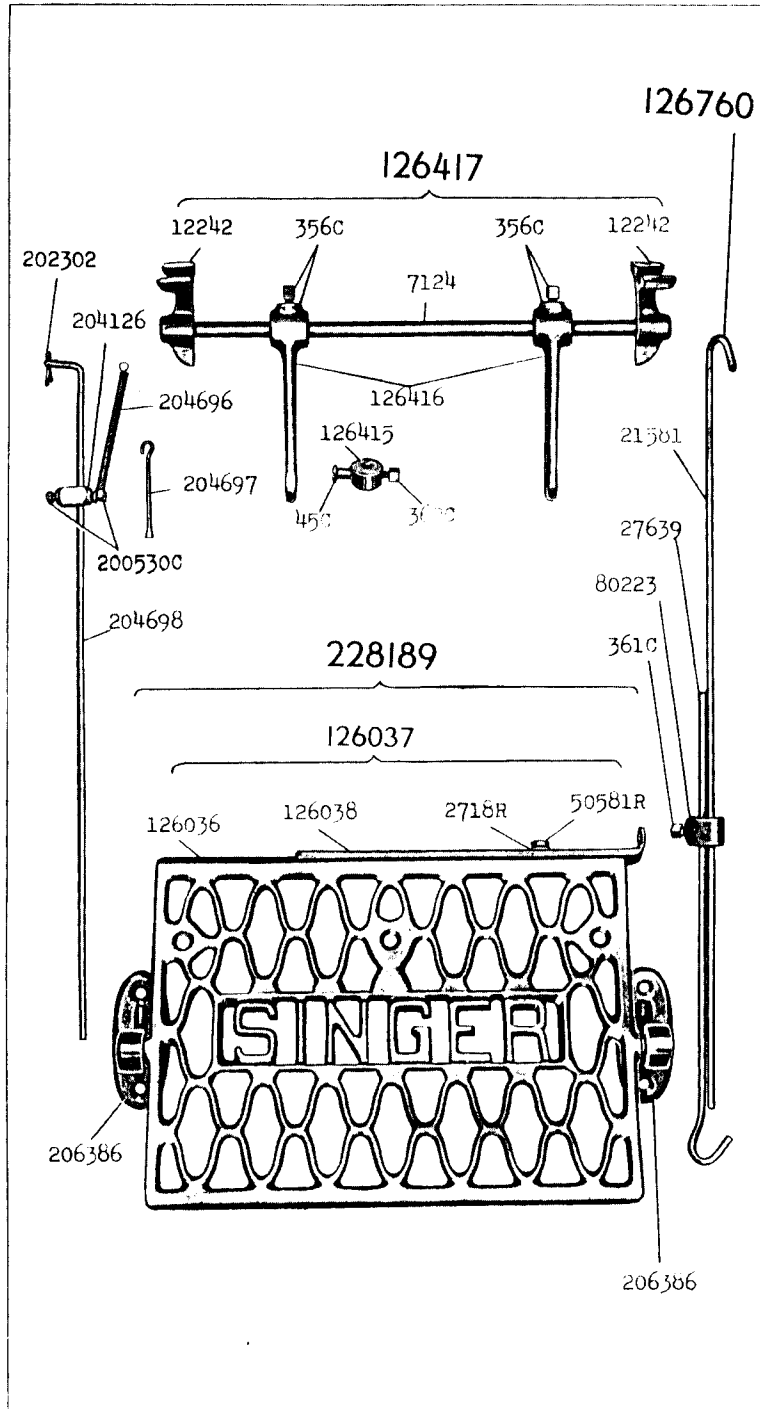
201537H

202477

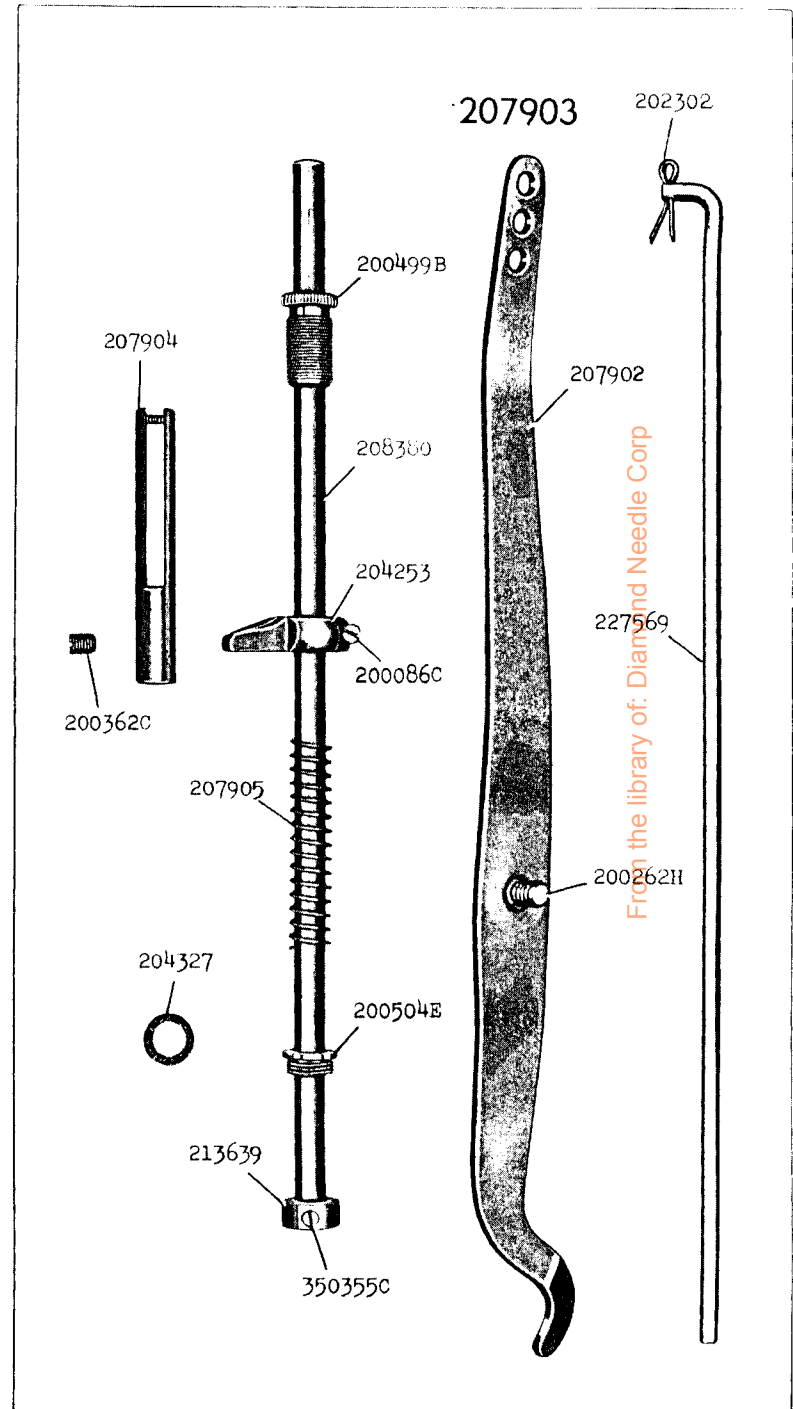
200299H

From the library of: Diamond Needle Corp

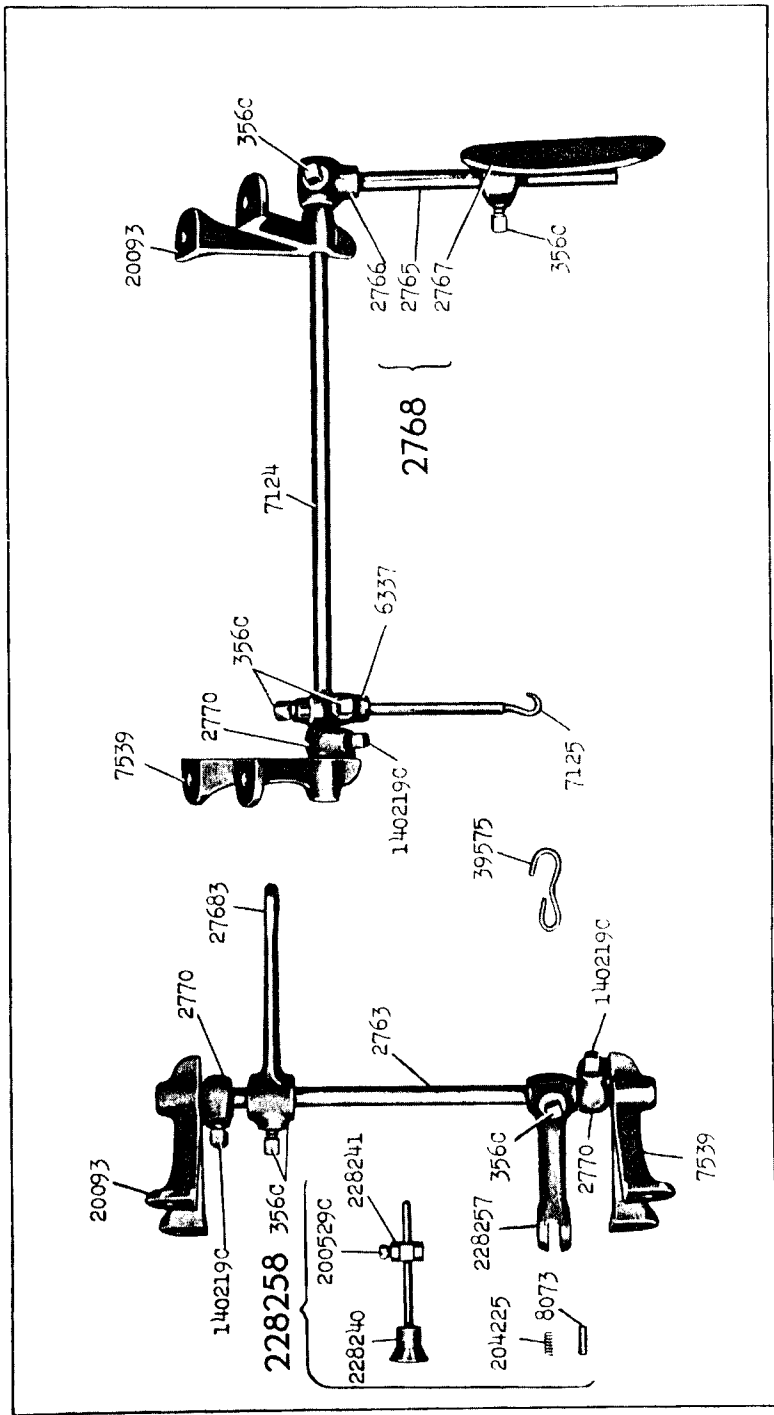
17709 - 1/5



17710 - 1/2



17711 - 1/4



From the library of: Diamond Needle Corp